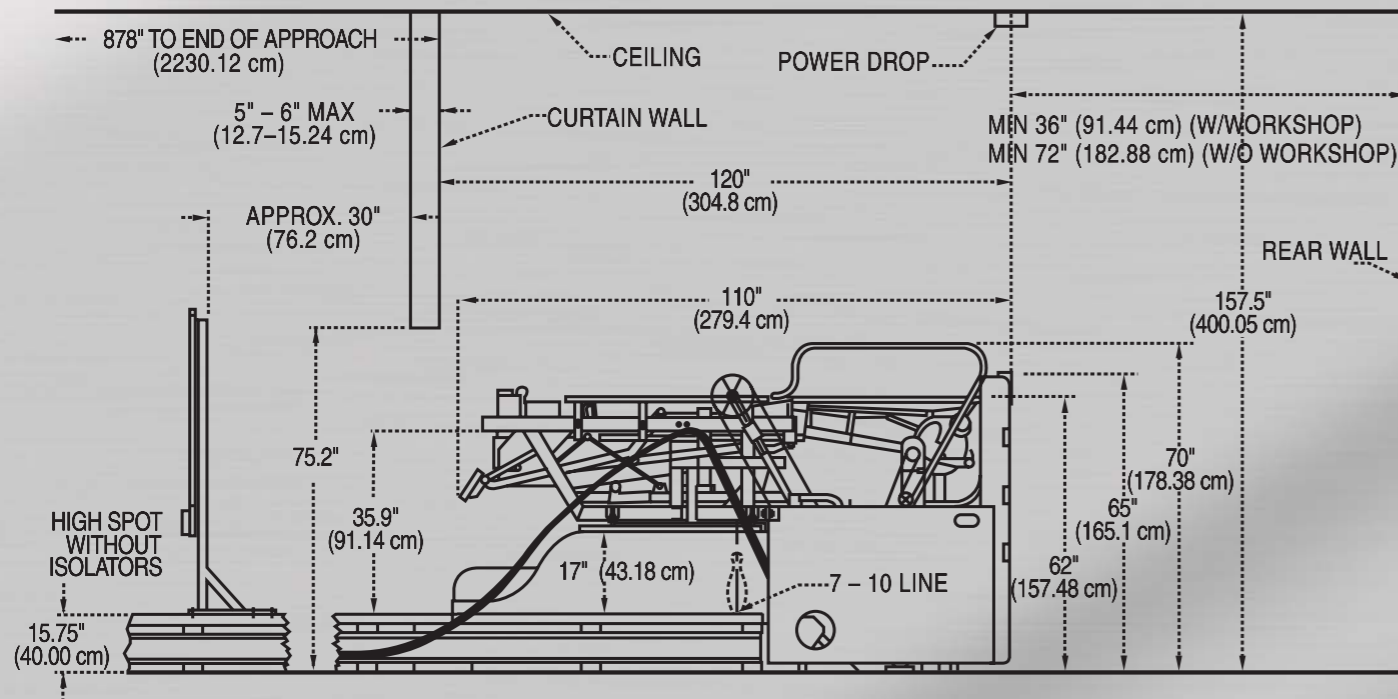


90XLi

PINSPOTTER

Innovative Technology



RECORD SPEED. UNMATCHED RELIABILITY. SMARTER INTELLIGENCE.

It's a combination that can increase revenue while lowering operating costs.

The precise use of technology to replace moving parts wherever possible, providing distinct operational benefit. Designs that are engineered to reduce annual maintenance costs and improve energy efficiency. Uniform quality, from purpose-built motors to steel construction. Made in the USA, QubicaAMF pinspotters give you solid, bottom-line reasons why they are the best choice.

In the end, your choice of pinspotter comes down to two qualities: reliability and fast operation. QubicaAMF pinspotters deliver big on both. Together, these attributes mean happier customers and happier employees. And those are the hallmarks of a profitable, growing bowling center business.

SEE WHAT'S INSIDE THE 90XLI TECHNOLOGY:

- MACHINE-STATUS LIGHT TOWERS SHOWS STATUS AT A GLANCE
- SELF-MONITORING AND SELF-ADJUSTING
- LCD DIAGNOSTIC DISPLAY, LOCATED ON EACH CONTROL CHASSIS, MONITORS OPERATION AND SHOWS POSITION OF MAJOR COMPONENTS
- DIAGNOSTICS CHECK OF MOTORS, SWITCHES, SENSORS, BALL DETECTOR, FOUL UNIT AND FRONT END BALL LIFT
- CONSTANTLY MONITORS MOTOR AMPERAGE, SO IF A JAM DOES OCCUR THE PINSPOTTER SHUTS DOWN, ELIMINATING A POTENTIAL MAJOR REPAIR
- SOLID-STATE COMPONENTS FOR TROUBLE-FREE OPERATION
- MICRO PROCESSOR CONTROLLED PINSPOTTER FUNCTIONS
- DUAL PIT LIGHT CONTROLLABLE BY LANE
- PIN DETECTION CAMERA FOR ACCURATE AND INSTANT PIN DATA
- QUBICAAMF SMART CYCLE (STRIKE, 7/10 PICK, OFF SPOT PIN)

Walt Powers, Pinspotter Product Manager, QubicaAMF

"In over 40 years of building pinspotters, I have never experienced a more intelligent design than the 90XLI. It is by far the fastest pinspotter on the market, thanks to the QubicaAMF Smart Cycle. And it is by far the most reliable—the mechanical frames per stop are an unbelievable 5 times greater than pinspotters made just 10 years ago!

Although the 90XLI has 20% less parts than the leading competitor, it just doesn't have to work hard to perform its tasks. This means that it is more durable, last longer and holds its resale value.

The 90XLI is constantly monitoring itself. With XLI technology, a marvel of intelligent engineering, your mechanic is alerted before a major breakdown even occurs—and more important before any interruption to the bowler. And maintenance has never been easier. The 90XLI is easy to access, and the settings and features are all controlled by software.

QubicaAMF is constantly improving the operation of the pinspotter; any engineering improvements ever made to QubicaAMF pinspotters are available to all of our customers. Even a basic 82-70 Pinspotter purchased back in 1962 can be upgraded to incorporate today's cutting-edge technology."

FEATURE FOR FEATURE AND DAY IN AND DAY OUT, the 90XLi remains THE BEST PINSPOTTER in the industry.

The next-generation pinspotter is here now. The QubicaAMF 90XLi is more reliable, more intelligent, more innovative than any pinspotter before. It monitors and adjusts itself, provides easy-to-follow diagnostics, and tells its status with unique light towers. Its features include:

- The world's fastest strike cycle: 8.5-seconds - 50% faster than the competition.
- Unmatched reliability for long-life performance, thanks to motors designed for the machine, 100% solid-state electronics, and exhaustive testing.
- Fewer moving parts than its closest competitor for higher dependability, less maintenance and lower spare parts inventory.
- The unbeatable strength of steel construction. All drives use high-tensile-strength alloy gears in sealed oil-filled housings coupled to solid-state motors.
- With its energy-efficient design, the 90XLi delivers big on low cost operation - using 30% less energy than even our older Pinspotter models. By utilizing QubicaAMF Smart Cycle, energy-efficient motors and machines shut down after 2 minutes of non-play to save energy and reduce operating costs.

THE MORE YOU KNOW, THE MORE YOU REALIZE THE 90XLi IS THE ONLY CHOICE.

- Self-adjusting front-end motors with electric brakes self-regulate machine positions for more reliability.
- The 90XLi's simple mechanical operation and continual self-monitoring has two noteworthy benefits: improved reliability and durability.
- The compact design of the 90XLi makes it easier to service and maintain.
- The ease at which the pinspotter performs its functions will ensure long-lasting, trouble-free operation.

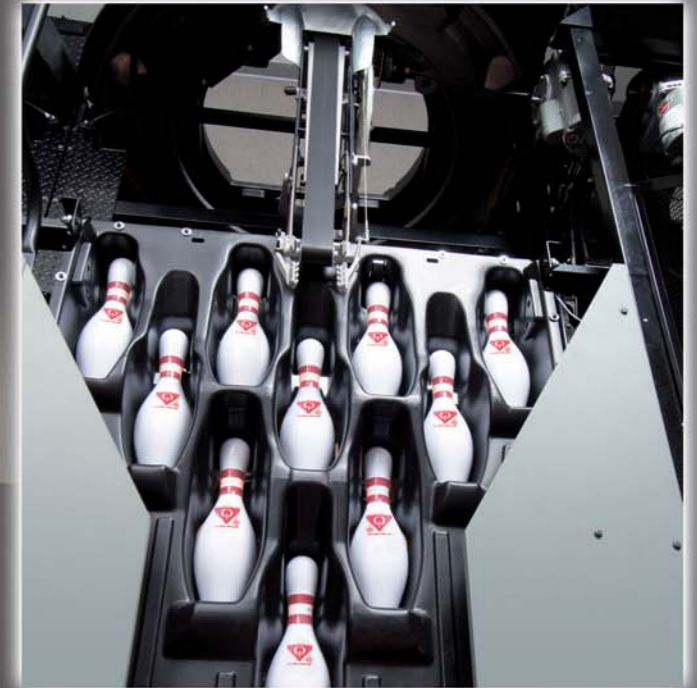
20% More Games Per Hour

	QubicaAMF 90 XLi	Leading Competitor
Max. Possible Games Per Hour ¹	12.9	10.7
Average Frame Cycle Time ²	25.5 seconds	26.1 seconds
Max. Annual Revenue Per Lane ³	\$197,757	\$164,031

- 1 - Based on 3 strikes average per game
2 - Based on 12 seconds bowler delay per frame
3 - \$3.00 per game, 14 hours per day

Reliability & Durability

	QubicaAMF 90 XLi	Leading Competitor
Pin Detection	Camera	10 Mechanical Switches and solenoids
Pins Needed, Fastest Cycle	20	22
Noise Level	80-90 dB	95-101dB
Ball Return	Positive Ball Lift with Gripper System	Elevator



The 90XLi stores 20 pins and is always ready to spot a new set of pins.



The 90XLi out of range pin area is 1.44 times greater than competing machines, so manual respots are rare.

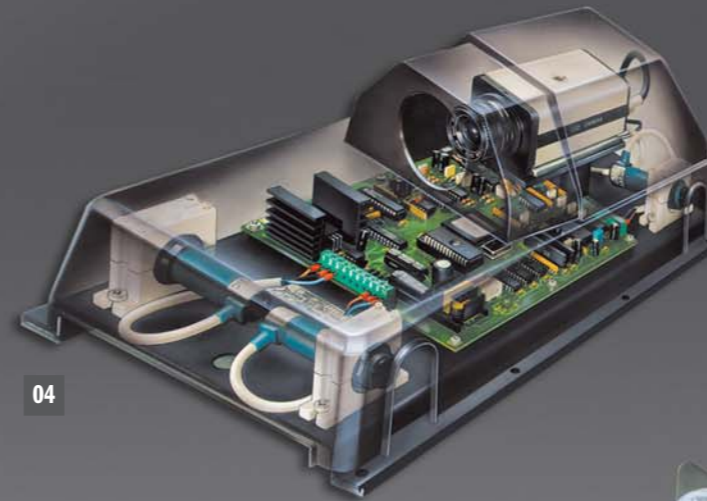
WHILE OTHER BOWLING MACHINES MAKE LIBERAL USE OF PLASTIC, THE 90XLi PINSPOTTER HAS STEEL CONSTRUCTION THROUGHOUT FOR EXCEPTIONAL DURABILITY.

EVERYTHING about the 90XLi, from diagnostics to menus to controls, has been well **DESIGNED** and **ENGINEERED** FOR EASE OF USE.

- 01 90XLi uses an LCD diagnostic display and incorporates machine light towers to alert mechanic of a possible bowler interruption before bowler is aware.
- 02 Front desk control unit offers easy to use menus and real-time status display.
- 03 Handheld unit with LCD display provides mechanic all chassis controls at front of machine.
- 04 Reliable camera provides quick and accurate pin data.
- 05 Using dual sensors per lane, XLi ball detector accurately calculates ball speed and adjusts machine start time. For increased safety, infrared sensors automatically detect unrecognized objects and shut down the machine.
- 06 Positive Ball Lift with Gripper system uses a moving paddle to clear pins from ball door, eliminating game-delaying pin jams while the Gripper System returns balls to the bowler even under the heaviest oiling conditions.



01



04



02



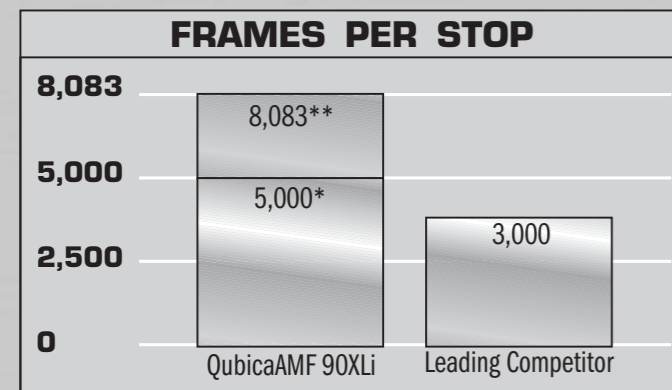
05



06



03



*with recommended maintenance.

** Entire tournament average at 2003 ABC Tournament, Knoxville, TN.

Dan Patras, Owner
Pinheads
Fishers, Indiana

"We have installed new 90XLi pinspotters and would recommend this installation for other centers. It really makes sense to invest in new machines. It's better to put the money up front into new equipment, rather than have the unexpected expenses of labor and parts to repair used machines down the road. These new machines will have much fewer problems.

We are anticipating these machines to last 30 years or more—so with the life expectancy of the business, it makes sense to put in state-of-the-art equipment.

We like the new features of the XLi machine, and the commitment QubicaAMF has made to keep investing in new technology. They are obviously committed to making these machines more innovative and intelligent. Over the years they have continuously improved and built on their knowledge and success.

This was one of the most important factors in our decision to purchase a QubicaAMF pinspotter: the reputation of the 90XL. We are very impressed with what people have to say about the QubicaAMF machines—especially how they compare to others. And we have been impressed with the track record and history of the 90XL, in places like the ABC Tournament and other installations.

Now that they have been installed, the pinspotters are running to our expectations from a frames per stop perspective. And they are exceeding our expectations from a cost perspective.

I have learned that in building a new center, it is comforting to know that the heart of the center—our new pinspotters—have proven to be the least of our concerns."

Rod Harmon, Facility Manager
Pinheads
Fishers, Indiana

"As a Mechanic on AMF bowling equipment for 26 years, I have worked on 82/30's, 82/70's, and 82/90's. During the first 6 months of service of our 90XLi, we have averaged 10 mechanical calls a week. Wow! I can remember when 10 calls in a night was phenomenal for other machines.

The new XLi technology has changed the way mechanics interact with these machines. With new functionality and features, fewer moving parts and more computerized technology, our work is so much simpler and easier. And, of course, they operate much more efficiently. For instance, the wiring system is as simple as plugging in an outlet. And the Table and Sweep switches have been eliminated; everything is now controlled by an infrared home switch, a new brake system, and by the chassis.

The support team of QubicaAMF has come up with a spec sheet for adjustments that really makes these machines HUM. All adjustments are easy to get to, and very simple to do. Just do them in order, and the machines are set for uninterrupted service.

Along with the many new excellent features on the 90XLi, the safety of the machine for mechanics has increased in many ways, too. There are now two emergency stop buttons, and a ball detector safety; if someone were to crawl in the machine from the front, it shuts down. And now the mechanic can run the machine from the front with the handheld unit, and have all the options from the chassis right at their finger tips!

In terms of dependability, safety, and support, not choosing the QubicaAMF 90XLi would be a big mistake. Thank you QubicaAMF!"



Dan Patras
Owner
Pinheads

Rod Harmon
Facility Manager
Pinheads

ADD THE QUBICAAMF TCS SYSTEM TO INTEGRATE YOUR 90XLI PINSPOTTER AND QUBICAAMF SCORING SYSTEM, AND MINIMIZE DOWNTIME AND FRUSTRATION.

The Trouble Call System, TCS, provides a tightly integrated performance monitor of your 90XLI pinspotter and bowler satisfaction. It helps identify scheduled maintenance needs by tracking the diagnostic messages that are automatically generated by the 90XLI. In seconds the system accepts an error report, logs it, calls the mechanic's wireless phone, alerts the front desk, and notifies the customer that help is on the way. Then, TCS keeps your customers informed of their lane's repair status via entertaining animations on their scoring monitor. They know what's happening as it's happening - the ultimate customer-service experience. When the repair is complete, your customers immediately know their lane is back in operation, as does your front desk. All error details - lane, source, total downtime - save to the TCS database for quick consolidated error management reports.

TCS - a superior pinspotter maintenance system integrated with your QubicaAMF Scoring System:

- On-demand reporting of stops, problem type and downtime duration
- Better performance and problem-machine monitoring
- Better frames-per-stop monitoring and understanding
- Makes maintenance more efficient, thus saving money
- Easy for mechanics to use

